

300W 2-way Power Splitter (698-3800MHz, -150dBc, IP65)



Tone Spread
Solutions for Wireless Signal

Telecommunication Technology & Engineering Accessories

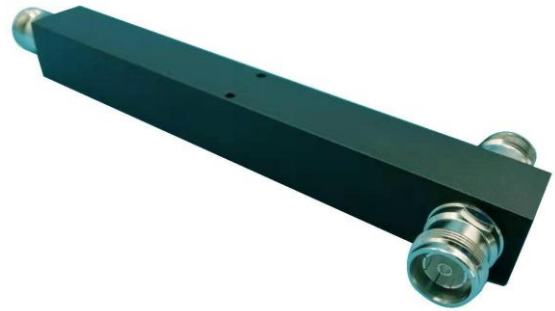
Rev.V1.0

General Description

300W 2-way Power Splitter (698-3800MHz, -150dBc, IP65)

Features & Benefits

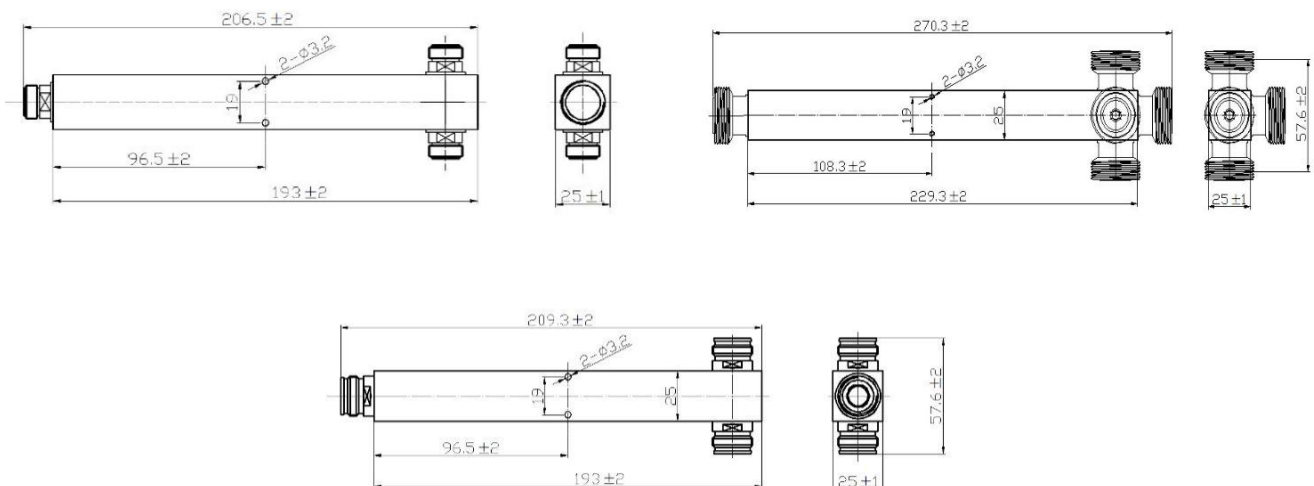
- Guaranteed PIM Compliance
- Wide Frequency Band Covering 698-3800MHz
- Low Insertion Loss
- Low VSWR
- Indoor/Outdoor Using IP65
- Available with Type N, 7/16DIN or 4.3/10 Connectors



Electrical & Mechanical Specifications

Model No.	TS-2PS-638-150-NF TS-2PS-638-150-DF TS-2PS-638-150-4F
Split Chanel	2-way
Split Loss(dB)	3.0
Insertion Loss(dB)	≤ 0.3
Freq(MHz)	698-3800MHz
VSWR	≤ 1.30
PIM Rating(dBc)	-150dBc@2x43dBm(698-2700MHz)
Power Rating(W)	300W (average Per Port)
Impedance	50 ohm
Connector	N/DIN/4.3-10 -female
Color	Black
Operating Temperature(°C)	-30~+65
Weight(kg)	0.44

Mechanical Drawing



Dimensions in mm